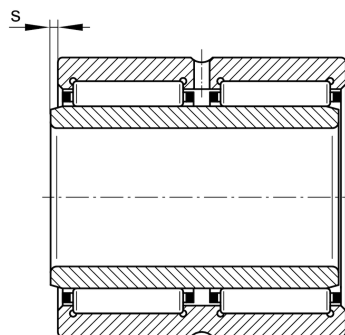
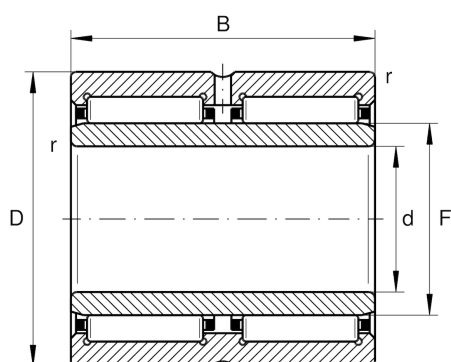
**NA6907-ZW-XL**

Needle roller bearing

Schaeffler ID:
0507441940000Needle roller bearings NA69..-ZW,
Dimension series 69, double row

X-life

Technical information

**Main Dimensions & Performance Data**

d	35 mm	Bore diameter
D	55 mm	Outside diameter
B	36 mm	Width
C_r	54,000 N	Basic dynamic load rating, radial
C_{0r}	86,000 N	Basic static load rating, radial
C_{ur}	16,200 N	Fatigue load limit, radial
n_G	10,700 1/min	Limiting speed
n_{gr}	5,900 1/min	Reference speed
	0.315 kg	Weight

Dimensions

F	42 mm	Raceway diameter inner ring
r_{min}	0.6 mm	Minimum chamfer dimension
s	0.5 mm	Axial displacement

Temperature range

T_{min}	-30 °C	Operating temperature min.
T_{max}	120 °C	Operating temperature max.